



XFT193

Project _____
Item _____
Quantity _____
Date _____

Model
LINEMISS™

Convection oven	Electric
4 trays 600x400	Drop down opening
Knob	
Voltage:	380-415V 3N~ / 220-240V 3~ / 220-240V 1~

Description

Convection oven with humidity, analogical control and 304 stainless steel cooking chamber. Time, temperature, steam percentage and 2 fan speeds function. Ideal for all baking processes of fresh and frozen bakery products. The AIR.Plus technology guarantees perfect cooking uniformity on all baking trays.



Standard cooking features

Manual cooking

- **Temperature:** 80 °C – 260 °C
- Convection and humidity cooking starting from 80 °C

Advanced and automatic cooking features

Unox Intensive Cooking

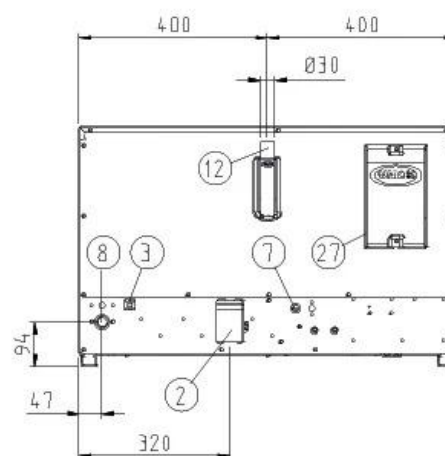
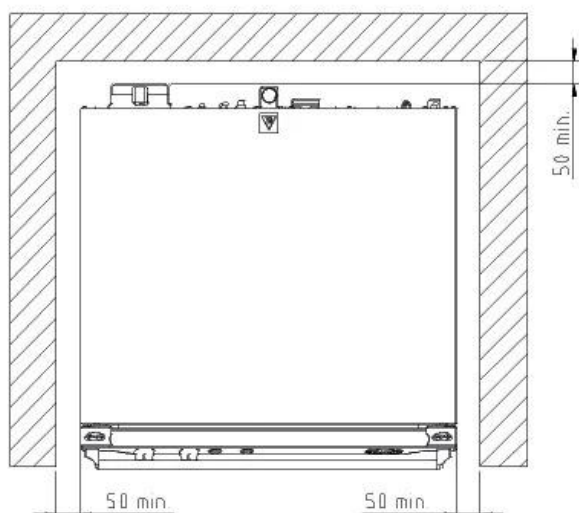
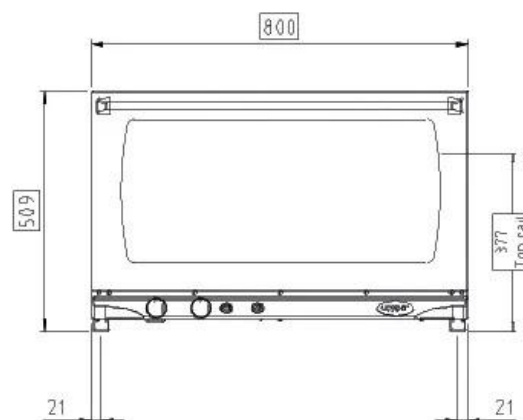
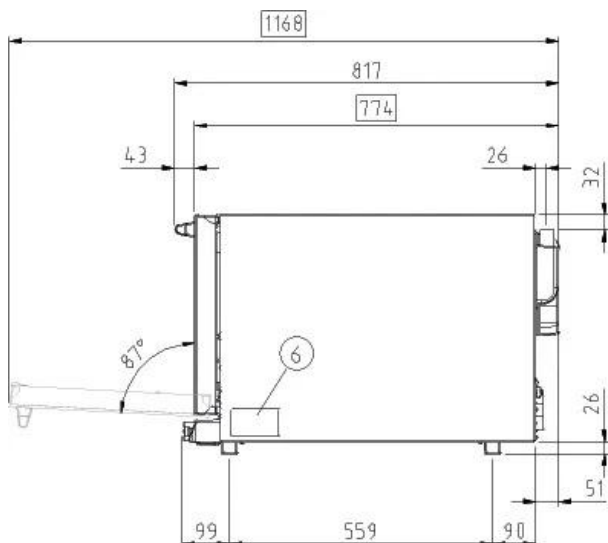
- **DRY.Plus:** rapidly extracts humidity from the cooking chamber
- **STEAM.Plus:** creates instant humidity
- **AIR.Plus:** multiple fans with reverse gear

Key features

- Rounded baking chamber made of high-resistance AISI 304 steel
- Double glass
- Cooking chamber lighting through LED lights embedded in the door
- Baking chamber with chrome-plated steel rack rails
- Fan system and high-performance circular heating elements



XFT193



Dimensions and weight

Width	800 mm
Depth	774 mm
Height	509 mm
Net weight	49 kg
Tray pitch	75 mm

Connection positions

2	Terminal board power supply
3	Unipotential terminal
6	Technical data plate
7	Safety thermostat
8	3/4" female NPT water inlet
12	Hot fumes exhaust chimney

13	Accessories connection
27	Cooling air outlet



XFT193

Power supply
Water connection
Installation requirements
Accessories

Electrical power supply

STANDARD

Voltage	380-415 V
Phase	~3PH+N+PE
Frequency	50 / 60 Hz
Total power	6,5 kW
Max Amp draw	13 A
Required breaker size	16 A
Power cable requirements*	5G x 1,5 mm ²
Plug	NOT INCLUDED

OPTION A

Voltage	220-240 V
Phase	~3PH+PE
Frequency	50 / 60 Hz
Total power	6,5 kW
Max Amp draw	14 A
Required breaker size	25 A
Power cable requirements*	4G x 2,5 mm ²
Plug	NOT INCLUDED

OPTION B

Voltage	220-240 V
Phase	~1PH+PE
Frequency	50 / 60 Hz
Total power	6,5 kW
Max Amp draw	28 A
Required breaker size	32 A
Power cable requirements*	3G x 4 mm ²
Plug	NOT INCLUDED

*Recommended size - observe local ordinance.

Accessories

- **LIEVOX:** Proofer equipped with sensors capable to control and intervene automatically on the leavening process
- **Stand:** the multifunctional support ideal for storing trays safely and placing your oven at the perfect height to work
- **Baking Essentials:** special trays
- **SPRAY&Rinse:** Practical spray detergent to manually clean all kinds of oven. It degreases and removes all kind of dirt
- **PURE / PURE.XL:** resin-based filtering system that eliminates from the water all substances that contribute to the formation of limescale inside the oven cooking chamber

Water Supply

USING A WATER SUPPLY THAT DOES NOT MEET UNOX'S MINIMUM WATER QUALITY STANDARDS WILL VOID ANY WARRANTY.

It is the responsibility of the purchaser to ensure that the incoming water supply is compliant with the listed specifications through adequate treatment measures.

Drinking water inlet: 3/4" NPT*, line pressure:
Line pressure: 22 to 87 psi; 1.5 to 6 Bar (29 psi; 2 Bar recommended)

Inflow water specifications

Free chlorine ≤ 0.5 ppm

Chloramine ≤ 0.1 ppm

pH 7 - 8.5

Electrical conductivity ≤ 1000 µS/cm

Total hardness ≤ 30° dH

Steam circuit: inflow water specifications

Chlorides ≤ 120 ppm

Total hardness ≤ 8 °dH

To avoid the formation of limescale the incoming water must have total hardness ≤ 8°dH.

Installation requirements

Installations must comply with all local electrical systems, particularly as for minimum wire gauge required for field connection, hydraulic and ventilation supply. Exhaust and fume analysis must be performed in case of gas ovens.

Register to DDC Service to access data and product specifications.
www.ddc.unox.com