
60" Range With Raised Griddle / Broiler

MODELS:

AGR-6B-24RGB

Standard Features

- S/S exterior and overshelf
- 60" Combination range standard with a 24" griddle top
- Heavy duty 3/4" thick polished steel griddle plate
- Full length drip tray
- Broiler has 2 position rack and removable crumb tray
- Oven temperatures range between 175°F – 550°F
- Standing pilot for open top burners
- Oven pilot with 100% safety shut off
- Enamel oven interior
- Multiple position oven rack guides
- Two (2) chrome oven racks standard
- Four (4) casters standard

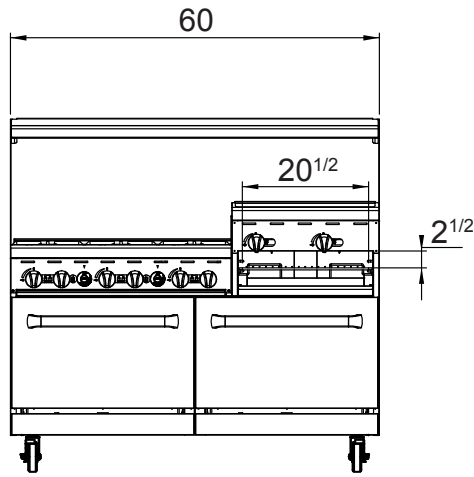


SPECIFICATIONS

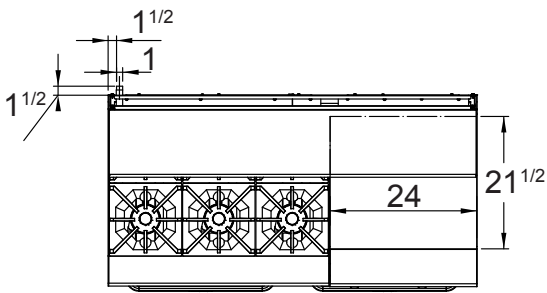
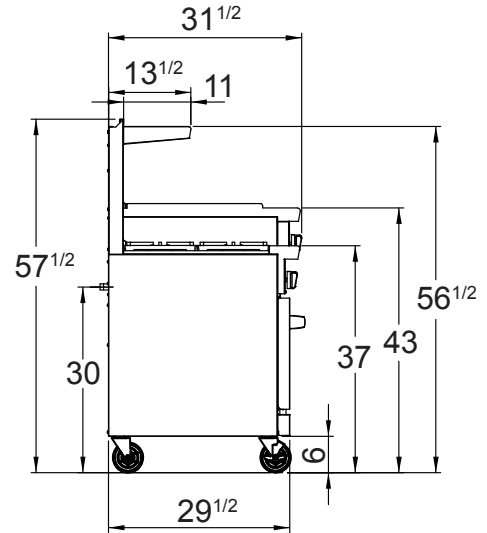
Models	Gas Type	Burner Name	Total BTU B.T.U./h	Number of Burners	Valve Types	Oven Size (inch)	Hot Plates Working Area(inch)	Griddle Working Area(inch)	Exterior Dimensions (inch)	Net Weight (lbs)	Gross Weight (lbs)
AGR-6B-24RGB	NG	Hot plates	32,000	6	Pilot light	26 ^{1/2} ×26×14	6pcs 11 ^{4/5} ×11 ^{4/5}	24×20 ^{5/8}	60×31 ^{1/2} ×57 ^{1/2}	765	1087
		Griddle	27,000	2							
		Oven	27,000	2							
	LP	Hot plates	32,000	6							
		Griddle	27,000	2							
		Oven	27,000	2							

PLAN VIEW

Front View



Side View



Top View

Heavy duty burners



Chrome oven rack



Stainless steel knobs

