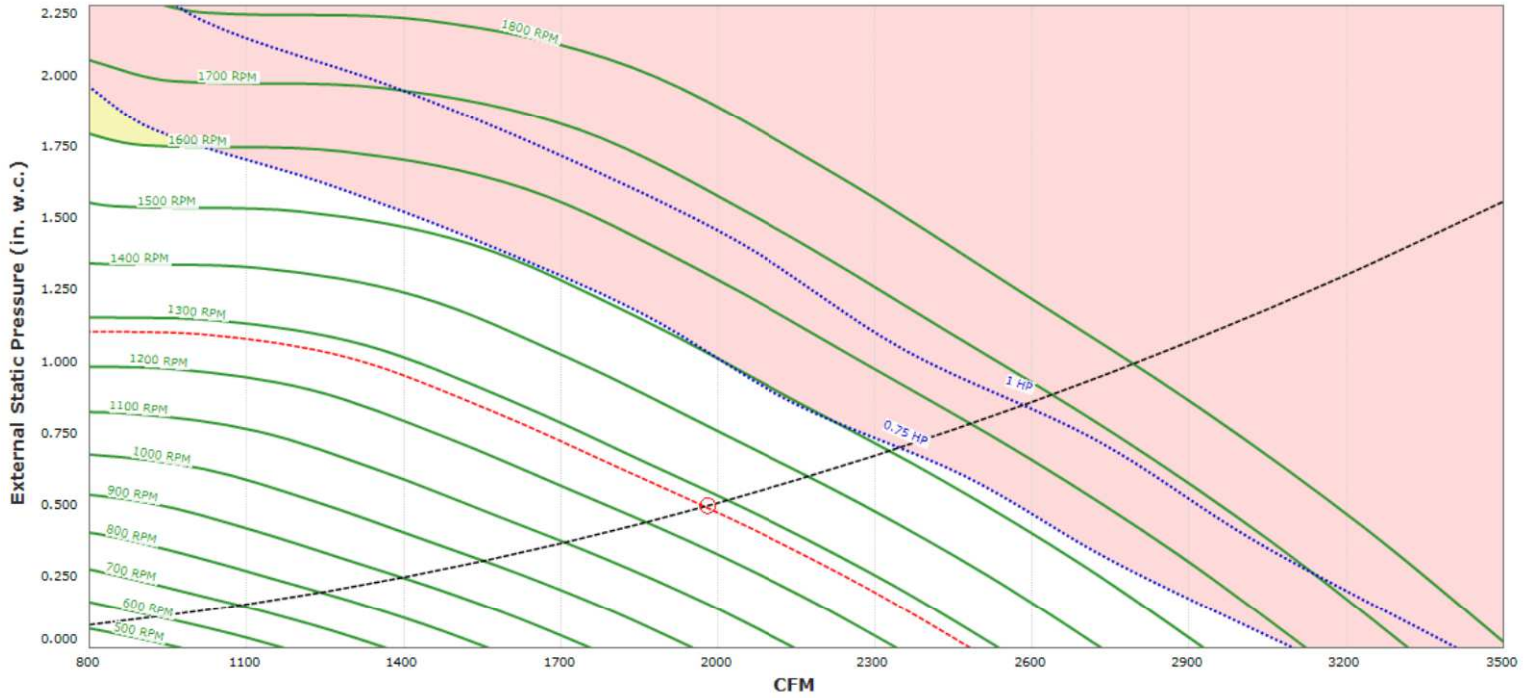


DU85HK (#3) DU85 .75hP-1980CFM Weight: 118 lbs.



High Speed Direct Drive Centrifugal Upblast Exhaust Fan with speed control (speed control included for single phase only), disconnect switch and 15-3/4" wheel.



EXHAUST MOTOR

Model BMN48-56011-ES-M52-CA-60-115 • 0.750 HP • 1 Phs • 115 V • 60Hz • 8.9 FLA • TEAO-ECM (Totally Enclosed Air Over Electronically Commutated Motor)

EXHAUST PERFORMANCE

| | | | | | |
|------------------|-------------|---------------|---------|---------------------|-------------|
| Volume: | 1980 CFM | RPM: | 1272 | TS: | 5245 ft/min |
| Static Pressure: | 0.500" w.g. | BHP: | 0.449 | Discharge Velocity: | 627 FPM |
| Altitude: | 0' | Ambient Temp: | 120.0°F | FEI: | 1.244 |

CONSTRUCTION FEATURES

- Housing constructed of heavy gauge aluminum
- Centrifugal backward inclined, non-overloading wheel
- Weatherproof safety disconnect switch
- Grease spout welded to housing
- Vibration isolators
- Continuous duty, thermal protected, permanently lubricated, direct drive motor
- Forces fresh air through motor to ensure long motor life
- Variable Speed Control on Single Phase Units Only. (VFDs required to adjust speed for 3 phase versions)
- Corrosion resistant fasteners
- Thermal overload protection
- High heat operation (400 °F)
- Rated for restaurant and general ventilation applications
- Grease classification tested

EXHAUST INSTALLATION INFORMATION

| | |
|-----------------|--|
| Unit Voltage: | 1 phs 115 V 60Hz |
| Unit Main Input | 11.2 Amps MCA • 20 Amps MOP • 115 V • 14 AWG Wire Min. |
| SCCR: | 10 kAmp |

CONFIGURED OPTIONS

- Full crating for exhaust fans for shipping.
- ECM Wiring Package and Manual or 0-10VDC Control for Exhaust EC motors. RTC Controller (No harness when ordered as a part).

DU85HK SOUND (1272 RPM) AT 5 FT. IN OCTAVES:

| 1 | 2 | 3 | 4 | 5 | 6 | 7 | 8 |
|------|------|--------|------|------|------|------|------|
| 75.9 | 77.5 | 78.5 | 71.4 | 68.1 | 66.4 | 62.8 | 56.3 |
| LWA: | 75.1 | Sones: | 11.8 | DBA: | 63.6 | | |

Note: Sound data across operational range. Tested in accordance to AHRI Standard 270/370.

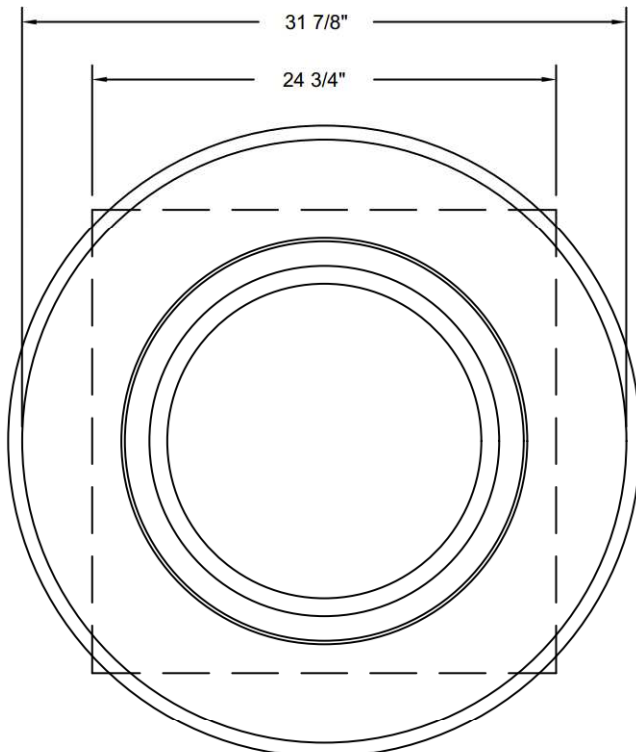
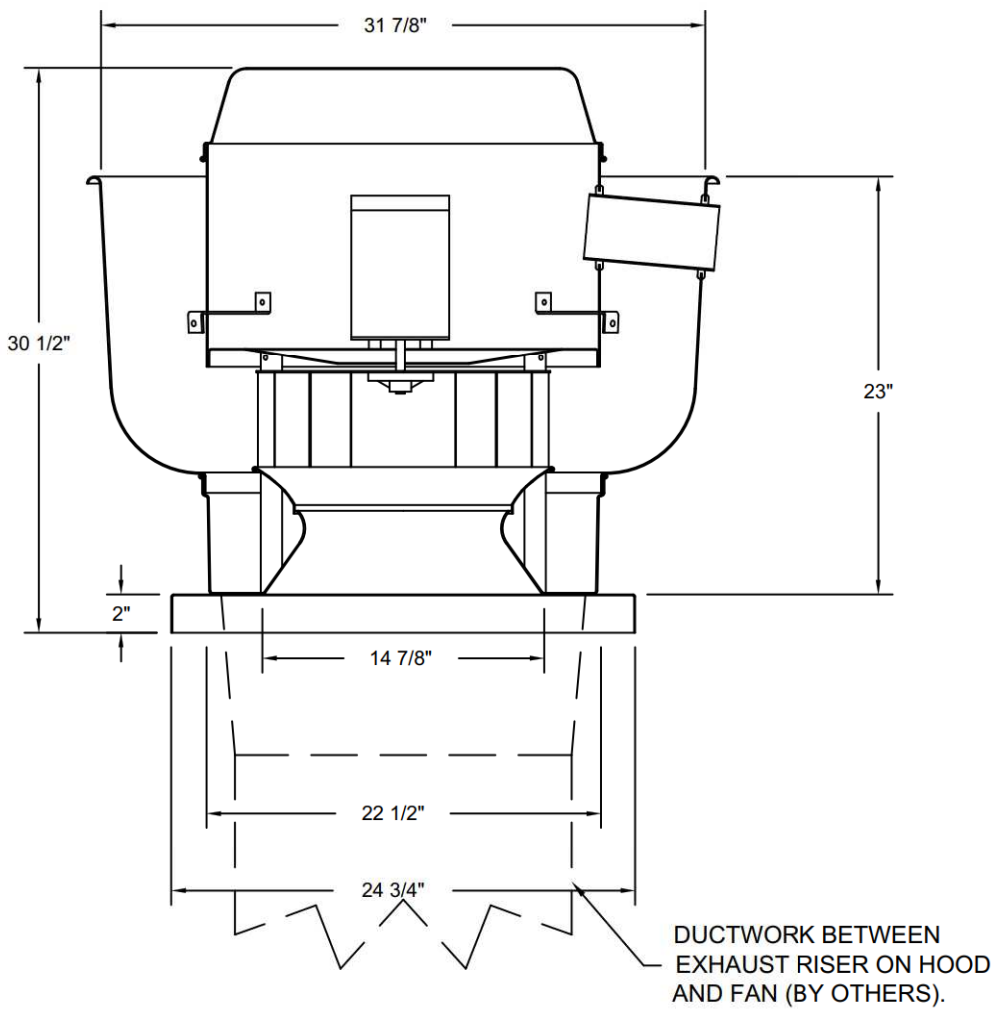
FEATURES:

- DIRECT DRIVE CONSTRUCTION (NO BELTS/PULLEYS).
- ROOF MOUNTED FANS.
- RESTAURANT MODEL.
- UL705
- VARIABLE SPEED CONTROL.
- INTERNAL WIRING.
- THERMAL OVERLOAD PROTECTION (SINGLE PHASE).
- HIGH HEAT OPERATION 300°F (149°C).

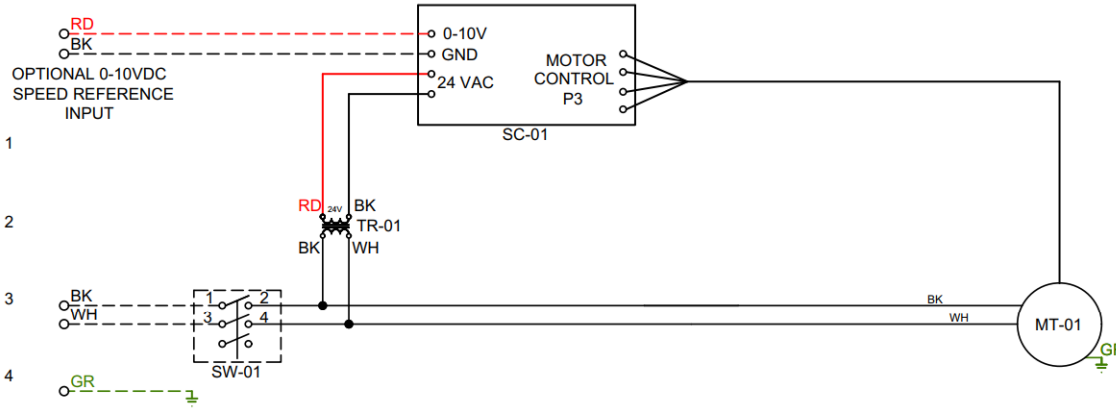
- NEMA 3R SAFETY DISCONNECT SWITCH.

NORMAL TEMPERATURE TEST

EXHAUST FAN MUST OPERATE CONTINUOUSLY WHILE EXHAUSTING AIR AT 300°F (149°C) UNTIL ALL FAN PARTS HAVE REACHED THERMAL EQUILIBRIUM, AND WITHOUT ANY DETERIORATING EFFECTS TO THE FAN WHICH WOULD CAUSE UNSAFE OPERATION.



TOP VIEW



Installed Options

| Label | Component Identification | |
|-------|--------------------------|----------|
| | Description | Location |
| MT-01 | Fan Motor | [3] |
| SC-01 | RTC-FSC-1 | [1] |
| SW-01 | Main disconnect switch | [3] |
| TR-01 | 24VAC 20VA Transformer | [2] |

MOTOR INFO
 EXHAUST 0.8HP-115V-1P-8.9FLA

ELECTRICAL INFORMATION
 MOTOR/CTRL MCA: 11.2A
 MOTOR/CTRL MOP: 20A

NOTES
 - - - - - DENOTES FIELD WIRING
 _____ DENOTES INTERNAL WIRING

WIRE COLOR

| | |
|-------------|-------------|
| BK - BLACK | YW - YELLOW |
| BL - BLUE | GR - GREEN |
| BR - BROWN | GY - GRAY |
| OR - ORANGE | PR - PURPLE |
| RD - RED | PK - PINK |
| WH - WHITE | |